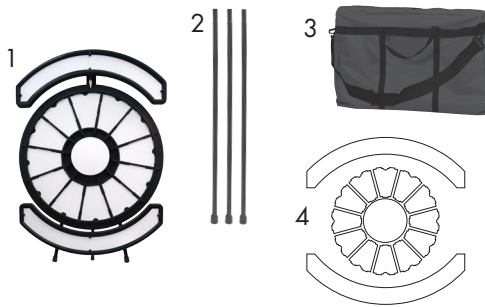


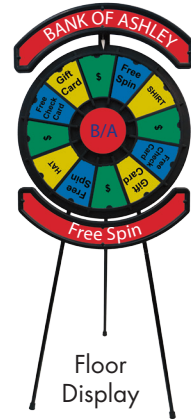
# Spin 'N Win Plus

## Product Parts

- 1 - Spin n` Win Plus
- 2 - Extension Leg (x3)
- 3 - Soft Case\*
- 4 - Graphic Kit\*



\*Soft Case and Graphics are included with purchase of Kit only.



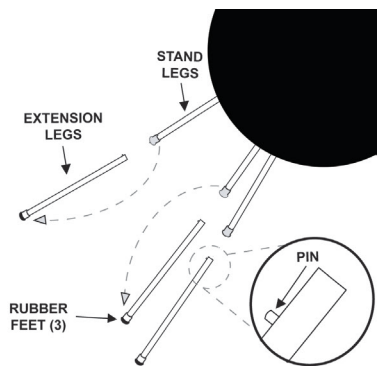
## Display Set-Up

### Step 1

Place on a clean, flat surface.

### Step 3

For floor Spin 'N Win Plus (1) lay flat, insert Extension Legs (2) into the Spin 'N Win Plus (1) legs by pressing in each pin and rotating to secure it though the hole on each Spin n` Win Plus (1) leg.



### Step 2

Spin 'N Win Plus (1) comes pre-assembled. For use on tabletop, remove the rubber end caps from each Extension Leg (2). Reattach the rubber end caps to each leg for tabletop display.

### Step 4

Set the Spin 'N Win Plus (1) upright on its rubber feet (with or without the Extension Legs (2) - depending on preference).

Free the Support Arm and latch it securely into the slot on the Crossbar.



## Graphic Set-Up

### Step 1

Center Graphic comes with magnet attached to back. To attach place over center pin of the Spin 'N Win Plus (1).



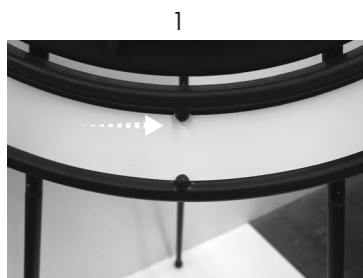
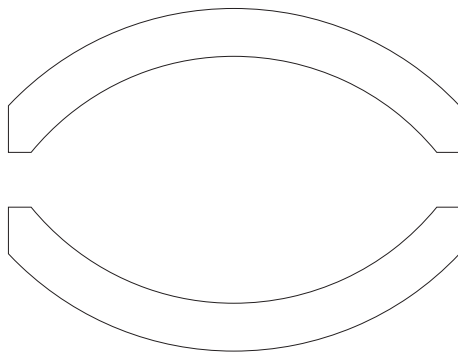
### Step 2

Insert Graphics have tabs on each end that insert into slots on Spin 'N Win Plus (1). Insert the tab nearest the Center Graphic first, followed by the tabs nearest the edge of Spin 'N Win Plus (1).



### Step 3

Upper and Lower Graphic are placed the same by sliding graphic from left or right and under tabs at center, followed by sliding under tabs at outer part of graphic area.



## Storage and Care

Store in a cool, dry location. Wipe with damp cloth. Wipe graphics with dry cloth.